

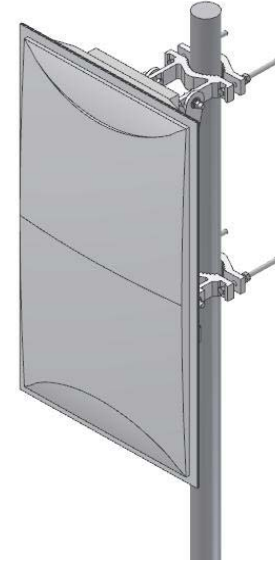
WCDMA ICS Service Antenna

1920 ~ 2170 MHz / 14 dBi

IMT-FBS-14

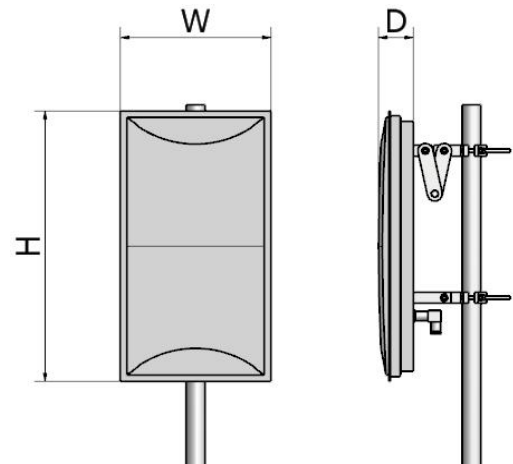
i. Electrical Specification

| | | |
|---------------------|-----------------|---------------------|
| Frequency Range | 1920 ~ 2170 MHz | |
| Polarization | Vertical | |
| Band Width | 250 MHz | |
| Gain | ≥ 14 dBi | |
| Beam width | Horizontal | 42° ± 5° |
| | Vertical | 17° ± 5° |
| F-B ratio | Horizontal | ≥ 30 dB @ 180 ± 90° |
| | Vertical | ≥ 30 dB @ 180 ± 90° |
| Sidelobe | ≥ 30 dB | |
| VSWR | 1 : 1.5 | |
| Impedance | 50 Ω | |
| Maximum input power | 100 W | |

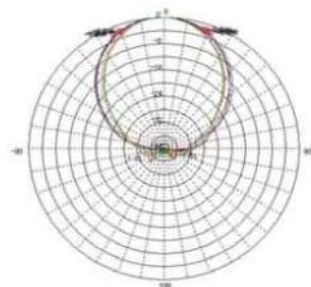


ii. Mechanical Specification

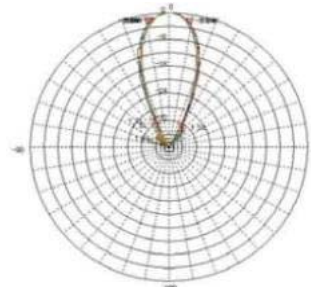
| | | |
|--------------------------------|-------------------|--|
| Radom Dimension (H x W x D) | 736 x 400 x 90 mm | |
| Weight (Include bracket) | ≤ 10 kg | |
| Connector Type | DIN/Female x 1 | |
| Withstand Wind Pressure | 60 m/sec | |
| Radome Material | FRP | |
| Radome Color | Gray | |
| Mechanical Down Tilt | 20° | |
| Temperature | -40 °C ~ 70 °C | |
| Packing Size (H x W x D) SET | - | |
| Packing Weight SET | - | |



iii. Radiation Pattern



Horizontal Pattern



Vertical Pattern